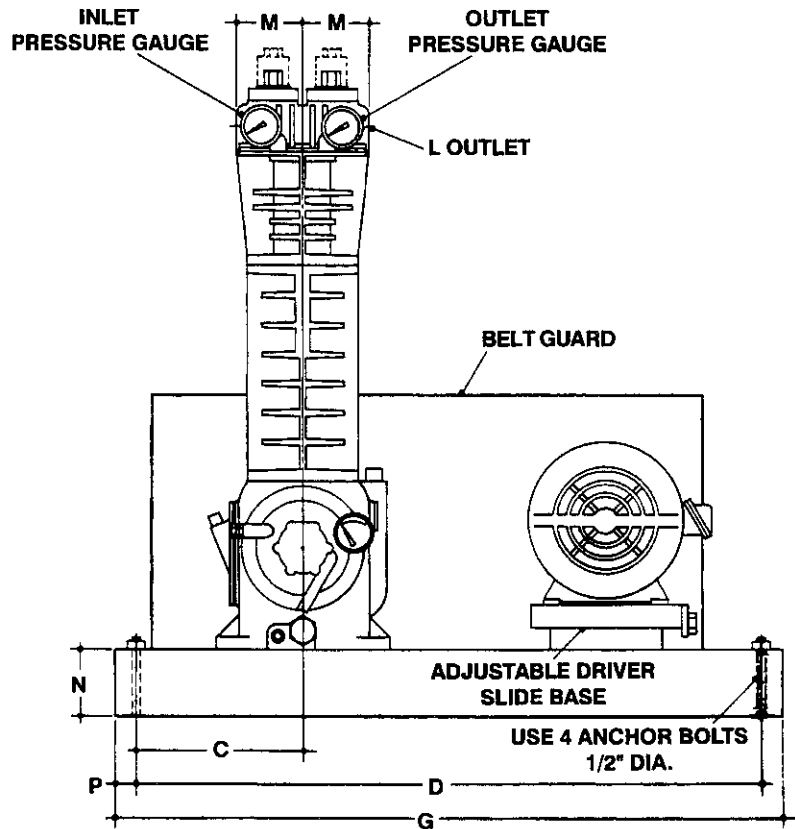
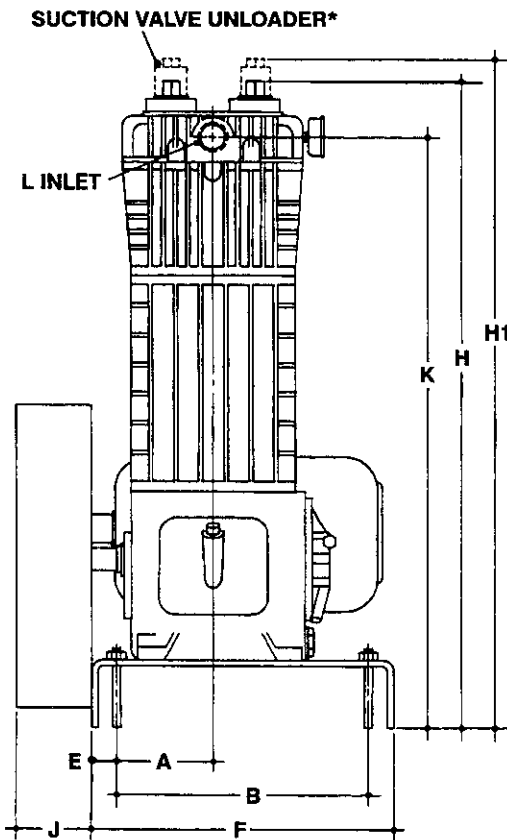


**MODEL D91, D291, T291, D491, D491-3, T491, T491-3
MOUNTING STYLE -103
OUTLINE DIMENSIONS**

MAY 1997
SUPERSEDES EE301B



DIMENSIONS IN INCHES (CENTIMETERS)

MODEL NO.	A	B	C	D	E	F	G	H	H1	J	K	L	M	N	P
D91-103	1 ⁷ / ₁₆ (3.6)	12 (30.5)	7 ¹ / ₂ (19.0)	27 ¹ / ₂ (69.8)	1 ¹ / ₂ (3.8)	15 (38.1)	30 (76.2)	32 ⁵ / ₁₆ (82.1)	34 ¹¹ / ₁₆ (88.1)	5 (12.7)	29 ¹¹ / ₁₆ (75.4)	3/4 NPT	2 ⁵ / ₈ (6.0)	3 (7.6)	1 ¹ / ₄ (3.2)
T91-103								36 ⁵ / ₁₆ (92.2)	38 ¹¹ / ₁₆ (98.3)		33 ¹¹ / ₁₆ (85.6)				
D291	5 (12.7)	12 (30.5)	7 ³ / ₄ (19.7)	31 ¹ / ₂ (80.0)	1 ¹ / ₂ (3.8)	15 (38.1)	34 (86.4)	32 ¹³ / ₁₆ (83.3)	34 ³ / ₁₆ (86.8)	5 (12.7)	30 ⁷ / ₁₆ (77.3)	3/4 NPT	2 ¹¹ / ₁₆ (6.8)	3 (7.6)	1 ¹ / ₄ (3.2)
T291								36 ¹³ / ₁₆ (93.5)	38 ⁷ / ₁₆ (97.0)		34 ⁷ / ₁₆ (87.5)				
D491-103								38 ⁷ / ₈ (97.5)	40 ⁷ / ₁₆ (102.0)		34 ¹³ / ₁₆ (88.4)				
D491-3-103	5 ³ / ₄ (14.6)	15 (38.1)	10 (25.4)	37 ¹ / ₂ (95.2)	1 ¹ / ₂ (3.8)	18 (45.7)	40 (102.0)	38 ¹ / ₄ (97.2)	39 ⁷ / ₁₆ (100.0)	5 (12.7)	34 ¹¹ / ₁₆ (88.1)	1 ¹ / ₄ NPT	4 (10.2)	4 (10.2)	1 ¹ / ₄ (3.2)
T491-103								43 ¹ / ₈ (110.0)	45 ¹ / ₁₆ (114.6)		39 ⁷ / ₁₆ (100.0)				
T491-3-103								43 ³ / ₄ (109.9)	45 ⁵ / ₁₆ (114.8)		39 ¹¹ / ₁₆ (100.8)				

*OPTIONAL